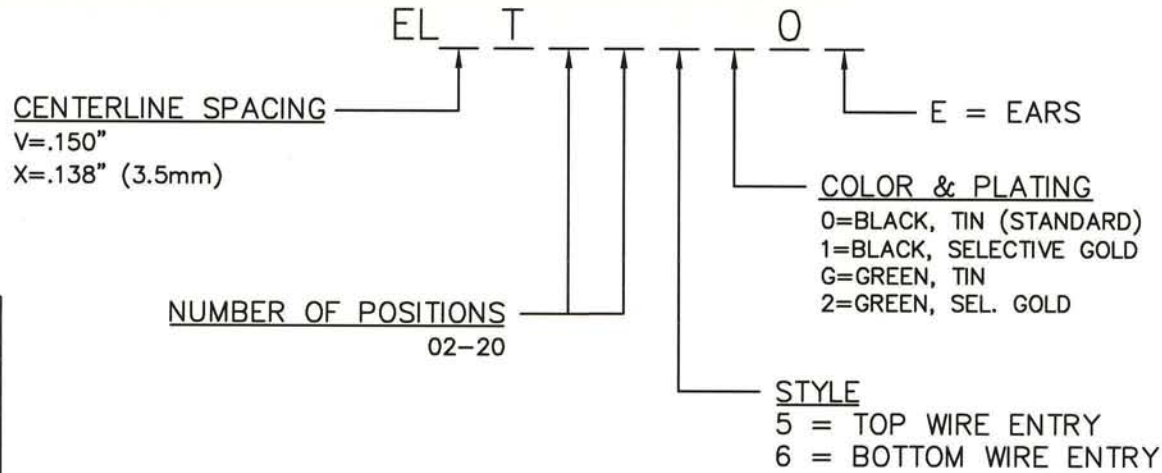


ELVT/ELXT SERIES PART NUMBERING SCHEME

REV	ECN	APPD
-	3624	JEC 1-18-99
A	3865	JEC 11/9/99
B	5742	PN 12/28/05



UL
RATINGS
CURRENT - 12A
VOLTAGE - 300V
U.L. FILE NO. E83421

SP
RATINGS
CURRENT - 12A
VOLTAGE - 300V
CSA FILE NO. LR69703

DIN VDE 0627:1986
DIN VDE 0110-1:1989
EN 60947-1:1991
EN 60947-7-1:1992

CURRENT - 12A
VOLTAGE - 300 V
TUV FILE NO. 20396

INSTALLATION RECOMMENDATIONS:
WIRE RANGE: AWG #16-28, STRANDED OR SOLID
WIRE STRIP LENGTH: .250"
TIGHTENING TORQUE: 2.2 LB-IN.

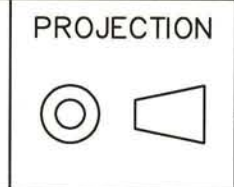
CONSULT PCD FOR PART NO. AND AVAILABILITY OF FOLLOWING OPTIONS:
* CUSTOM COLORS
* CUSTOM MARKING
* CUSTOM KEYING
* SELECTIVE CONTACT LOADING

MATERIALS:
HOUSING: PA 4/6, UL 94 V-0
CONTACT: COPPER ALLOY, OPTIONAL FINISH
SCREW: COPPER ALLOY, NICKEL FINISH
WIRE CLAMP: COPPER ALLOY, NICKEL FINISH

MAX OPERATING TEMPERATURE:
125°C

DIMENSIONS
ANSI Y14.5M
UNITS: INCHES
ACAD FILE

TOLERANCES
.XX ±.01
.XXX ±.005
ANGLES ±2°



Amphenol Pcd
SPECIFICATION DRAWING

ENGR
I. QUINN 12/21/98

TITLE

ELV/ELX SERIES
PLUGGABLE TERMINAL
BLOCK, STRAIGHT

ORIGINAL
STAMPED
IN RED

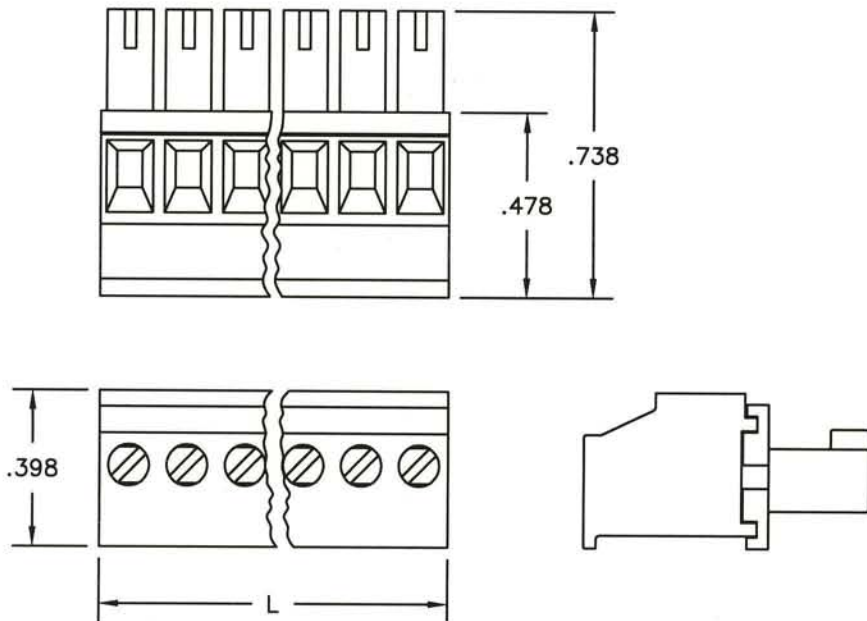
THIS DOCUMENT CONTAINS
PROPRIETARY INFORMATION WHICH
IS THE CONFIDENTIAL PROPERTY
OF AMPHENOL PCD INC. PEABODY, MA

CHKD
J. CAHALY 1/18/99

APPD
J. CAHALY 1/18/99

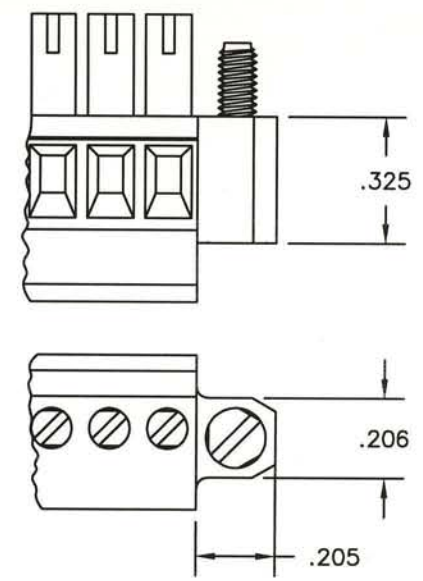
SIZE	DWG NO.	REV
A	ELVT02500	B
CODE: 58982	SCALE: NONE	SHEET 1 OF 2

STANDARD STRAIGHT PLUG, TOP WIRE ENTRY

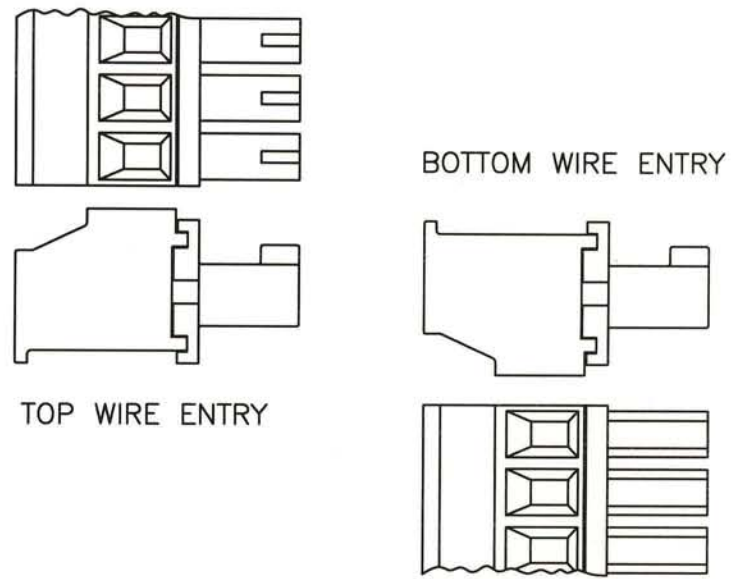


L=NUM OF POS X CL SPACING

EAR CONFIGURATION



ORIENTATION



SIZE	DWG NO.	DOC REV
A	ELVT02500	B
CODE: 58982	SCALE: NONE	SHEET 2 OF 2